

## CivaStar™ Advanced Overfill Sensor

The CivaStar Advanced Overfill Sensor is the future of overfill prevention technology. With its advanced design, construction and unique LED visual verification system, CivaStar accurately and reliably detects the presence of liquids and performs real-time diagnostics – a first for the overfill sensor market.



### Assured. Reliability.

CivaStar's advanced design, construction and unique LED visual verification feature optimizes probe reliability and permissive readings at the loading rack so your trucks get loaded on time and your customers get their deliveries on schedule.



### Lighting The Way.

Save time and money tracking down the source of non-permissive readings. CivaStar features a unique LED light in the tip of the probe to provide immediate visual verification and diagnostics of non-permissive probe readings.



### You're Set Forever.

Set it and forget it. The specially engineered replaceable optic sensor head provides for reliable liquid detection and trouble-free installation or replacement without the need to ever reset probe heights.

### Specifications

- Available in 2-wire and 5-wire
- Cap O-ring Seal - Silicone
- Locking Nut - Plated Steel
- Viscosity - Less than 1000 SSU Prism
- Snap Ring - Stainless-steel
- Weight 0.521 kg
- Operating Temperature  
-40°F (-40°C) to 158°F (70 °C)
- Special length sensors are available upon request



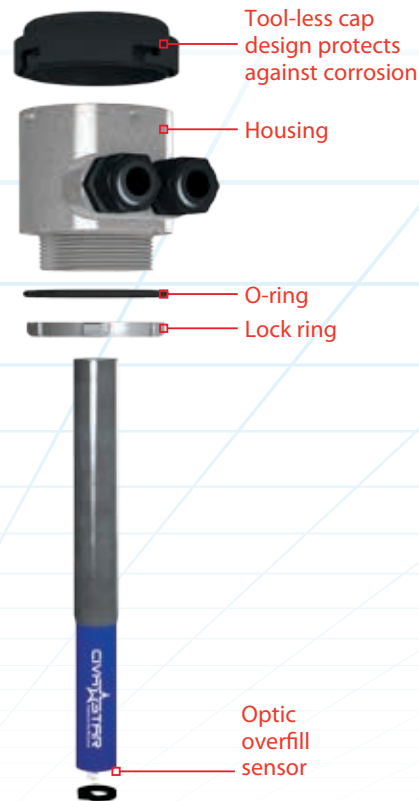
**CIVA★STAR**  
Advanced Overfill Sensor

# CivaStar™ Advanced Overfill Sensor



CivaStar goes beyond overfill prevention. Real-time diagnostics keep your trucks on the road and delivering loads, something the competition can't deliver.

| Feature                          | Benefit   | CivaStar | Other |
|----------------------------------|---|----------|-------|
| Detects the presence of a liquid | Provides overfill protection                      | Yes      | Yes   |
| 5-year warranty                  | Peace of mind                                     | Yes      | Yes   |
| LED diagnostics                  | Eliminates time-consuming and expensive guesswork | Yes      | No    |
| Tool-less cap                    | Quick removal and protects against corrosion      | Yes      | No    |
| Tool-less spring adjustment      | Set length once with torsion spring               | Yes      | No    |
| Sensor replacement               | Rapidly swap sensor without removing tube         | Yes      | No    |



## Ordering Specifications & Cross-Reference

### 5-Wire Probe

#### 5-Wire Replacement Probe Part Numbers

| CivaStar Sensor Part # | Old-Style Part # |
|------------------------|------------------|
| 5300N-18               | 1302-0018B       |
| 5300N-14               | 1302-0014B       |
| 5300N-12               | 1302-0012B       |
| 5300N-7                | 1302-007B        |

#### 5-Wire Probe with Housing Part Numbers

| CivaStar Sensor Part # | Old-Style Part # |
|------------------------|------------------|
| 5310N-18               | 1110-0018B       |
| 5310N-14               | 1110-0014B       |
| 5310N-12               | 1110-0012B       |
| 5310N-7                | 1110-007B        |

### 2-Wire Probe

#### 2-Wire Gray/Gray Replacement Probe Part Numbers

| CivaStar Sensor Part # | Old-Style Part # |
|------------------------|------------------|
| 5650U-18               | 1651-0018B       |
| 5650U-14               | 1651-0014B       |
| 5650U-12               | 1651-0012B       |
| 5650U-7                | 1651-007B        |

#### 2-Wire Red/Black Replacement Probe Part Numbers

| CivaStar Sensor Part # | Old-Style Part # |
|------------------------|------------------|
| 5350-18                | 1351-0018B       |
| 5350-14                | 1351-0014B       |
| 5350-12                | 1351-0012B       |
| 5350-7                 | 1351-007B        |

#### 2-Wire Black/White Replacement Probe Part Numbers

| CivaStar Sensor Part # | Old-Style Part # |
|------------------------|------------------|
| 5650-18                | 1651-0018B       |
| 5650-14                | 1651-0014B       |
| 5650-12                | 1651-0012B       |
| 5650-7                 | 1651-007B        |

### 2-Wire Probes w/ Housing

#### 2-Wire Gray/Gray Probe with Housing Part Numbers

| CivaStar Sensor Part # | Old-Style Part # |
|------------------------|------------------|
| 5610U-18               | 1551-0018B       |
| 5610U-14               | 1551-0014B       |
| 5610U-12               | 1551-0012B       |
| 5610U-7                | 1551-007B        |

#### 2-Wire Red/Black Probe with Housing Part Numbers

| CivaStar Sensor Part # | Old-Style Part # |
|------------------------|------------------|
| 5610RB-18              | 1051-0018B       |
| 5610RB-14              | 1051-0014B       |
| 5610RB-12              | 1051-0012B       |
| 5610RB-7               | 1051-007B        |

#### 2-Wire Black/White Probe with Housing Part Numbers

| CivaStar Sensor Part # | Old-Style Part # |
|------------------------|------------------|
| 5610-18                | 1551-0018B       |
| 5610-14                | 1551-0014B       |
| 5610-12                | 1551-0012B       |
| 5610-7                 | 1551-007B        |

#### 2-Wire Red/Black Replacement Probe Part Numbers

| CivaStar Part # | Old-Style Part # |
|-----------------|------------------|
| 5650U-18*       | 1351-0018B       |
| 5650U-14*       | 1351-0014B       |
| 5650U-12*       | 1351-0012B       |
| 5650U-7*        | 1351-007B        |

\* Not compatible with 3200 or 3208 Monitors