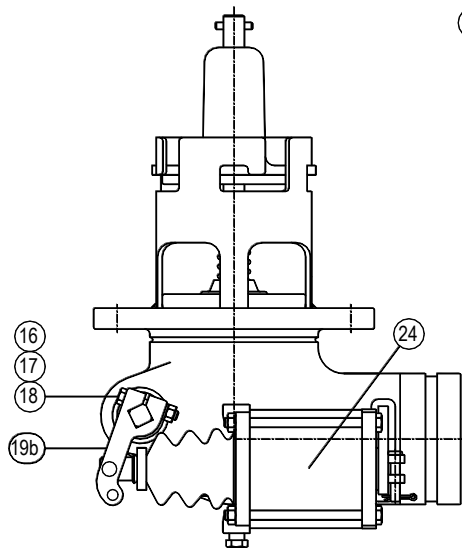


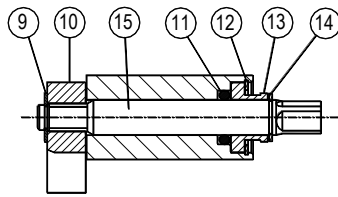
PARTS LIST

Emergency Valve

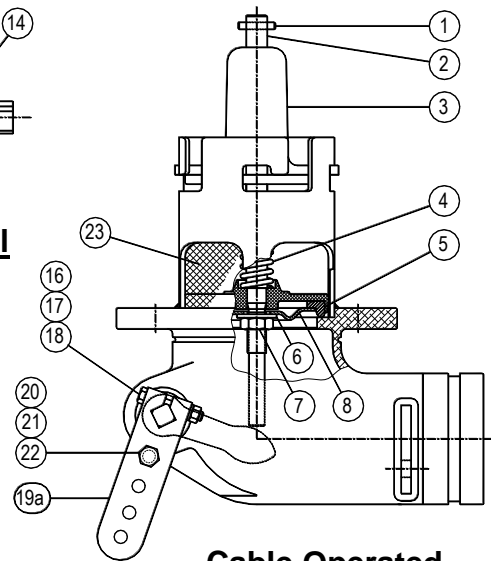
3" & 4" Flat Seat Aluminum



Air Operated



Stuffing Box Detail



Cable Operated

NO.	REQ.	DESCRIPTION	MATERIAL	PART NO.	
				3" VALVE	4" VALVE
1	1	Bail Pin 3/16 Dia. X 1"	Stnls 18-8	9Q5901	9Q5901
2	1	Stem & Disc Holder Assembly	Alum./Steel Zinc Plt.	**27773ZA ***27517ZA	17991CA / *17991SA
3	1	Bonnet	Aluminum	25074AL	25248AL
4	1	Spring	Steel "E" Coated	15196EY	15196EY/ *15196SS
5	1	Disc	Buna Urethane	19018BU	19017BU
			Viton	19018VT	19017VT
6	1	Lockwasher 1/2" external tooth	Stnls 410	9Q5916	9Q5918/ *9Q5916
7	1	Hex Nut 1/2-20UNF Thd.	Stnls 18-8	9Q5909	9Q5909
8	1	Disc Retainer Plate	Aluminum	15006AL	15051AL
9	1	Cam Retaining Ring	Stnls 316	9Q4933	9Q4933
10	1	Cam	Steel	19022MS	19022MS/ *19022SS
11	1	O-Ring (Cam Shaft)	Buna-N	19082BN	19082BN
			Viton	19082VT	19082VT
12	1	Retaining Ring-Gland	Stnls 316	9Q4968	9Q4968
13	1	Retaining Gland	Aluminum	19081AL	19081AL
14	1	Retaining Ring – Cam shaft	Stnls 316	9Q4970	9Q4970
15	1	Cam Shaft	Steel	27332ZC	27332ZC/ *27332SS
16	1	Bolt 1/4-20UNC x 1.75" lg.	Steel Zinc Plt.	9Q5825	9Q5825
17	1	Lockwasher 1/4"	Steel Zinc Plt.	9Q5845	9Q5845
18	1	Hex Nut 1/4-20UNC Thd	Steel Zinc Plt.	9Q5806	9Q5806
19a	1	Lever Arm - Cable	Steel "E" Coated	10587EY	10587EY
19b	1	Lever Arm - Air	Steel "E" Coated	18366EY	18366EY
20	1	Bolt 5/16-18UNC x 1" lg.	Steel Zinc Plt.	9Q5829	9Q5829
21	1	Lockwasher 5/16"	Steel Zinc Plt.	9Q5847	9Q5847
22	1	Hex Nut 5/16-18UNC Thd	Steel Zinc Plt.	9Q5808	9Q5808
23	1	Screen - Optional	Stnls 304	17644SL	17645SL
24	1	Air Cylinder Assembly	Aluminum	AC35005ALB	AC35005ALB

* Indicates Part No. for Valves with Stainless Trim

** Indicates Part No. for 90 Deg. Elbow

*** Indicates Part No. for Straight & Tee