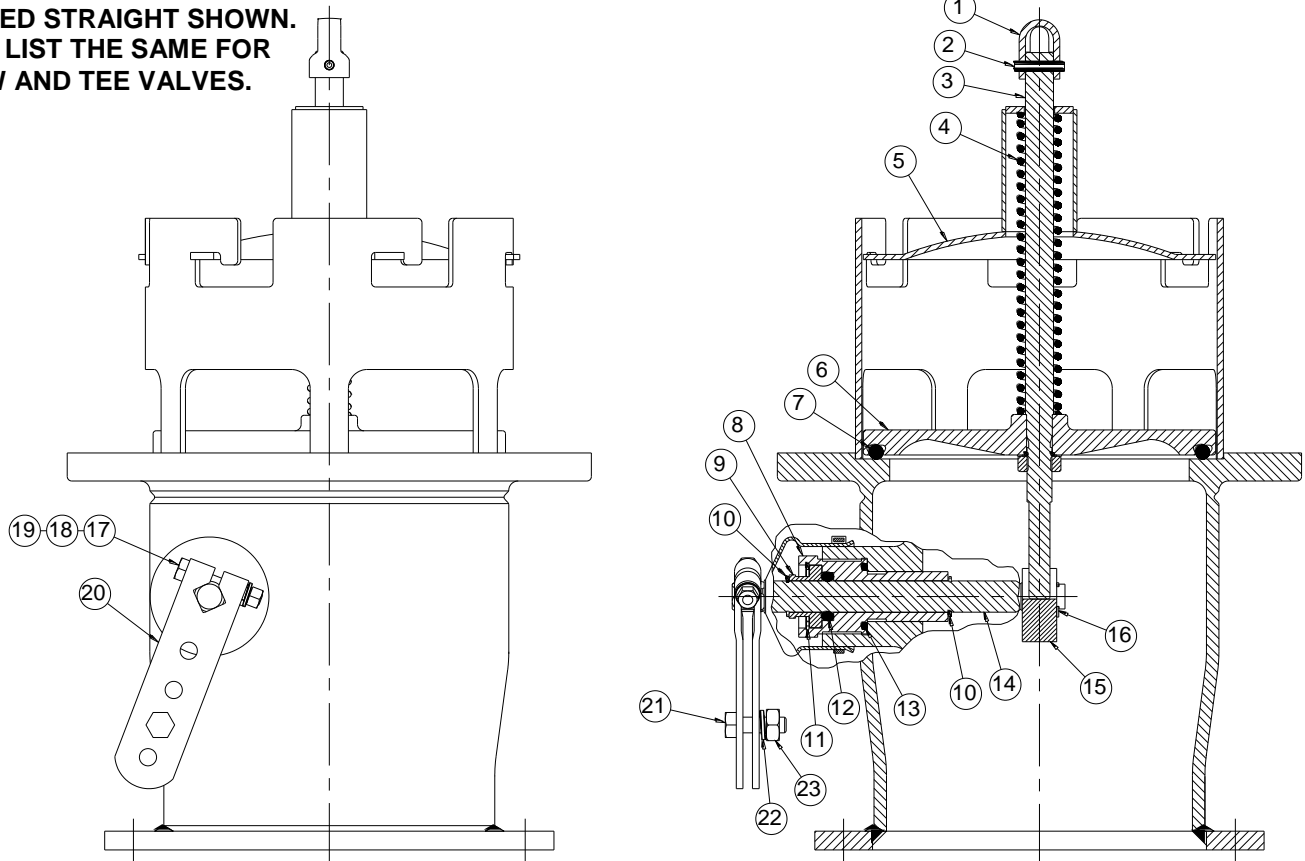


Parts List

6" X 6" Cable Operated Aluminum Emergency Valve

FLANGED STRAIGHT SHOWN.
PARTS LIST THE SAME FOR
ELBOW AND TEE VALVES.



NO.	REQ.	DESCRIPTION	MATERIAL	PART NO.
1	1	6" EV Bail	Aluminum E-Coated	A11129EY
2	1	Bail Pin	Stainless Steel	9Q5901
3	1	Stem	Steel Zinc Plated	27300ZC
4	1	6" Spring	316 Stainless Steel	SS11288H
5	1	6" Bonnet	Aluminum E-Coated	A21006EY
6	1	Disc Holder	Aluminum E-Coated	28367ALEY001
7	1	Seat Seal	Nitrile	75463BN
			FKM	75463VT
			Tef-Sil	75463TS
8	1	Threaded Stuffing Box	Anodized / Aluminum	28359AL
9	1	Stuffing Box Retainer	Aluminum	19081AL
10	2	Retaining Ring	Stainless Steel	9Q4970
11	1	Internal Snap Ring	Steel Zinc Plated	9Q4968
12	1	O-Ring (Cam Shaft)	Nitrile	19082BN
		U-cup Seal (Cam Shaft)	FKM	19082VT
13	1	O-Ring (Stuffing Box)	Teflon w/ SS Spring	75483SLTF
14	1	Cam Shaft	Nitrile	18824BN
15	1	Cam	316 Stainless Steel	36048SS
16	1	E-Clip	Coated Steel	19022MS
17	1	1/4"-20 Hex Nut	Stainless Steel	9Q4933
18	1	1/4" Lockwasher	Steel Zinc Plated	9Q5806
19	1	1/4"-20 UNC x 1.50 Hex Bolt	Steel Zinc Plated	9Q5845
20	1	Universal Lever Arm	Steel Zinc Plated	9Q5947
21	1	5/16"-18UNF-1.00 Hex Head Bolt	Steel E-Coated	10587EY
22	1	5/16" Lockwasher	Steel Zinc Plated	9Q5829
23	1	5/16"-18 Nut	ASA Steel Zinc Plated	9Q5847
			Steel Zinc Plated	9Q5808

WARNING Use only genuine BETTS INDUSTRIES INC. replacement parts. Substitute parts can impair the proper function of this product.